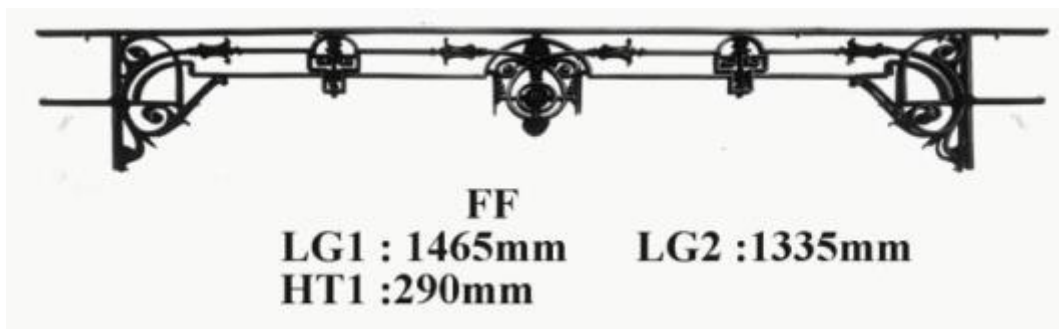




**WINDOW RAILING - GUARD WINDOW -
BALUSTRADE
BIRDIE**

Dimensional explanatory diagram



Material: CAST FOLLOWING THE STANDARD NFP 01 013 resistant to shocks

<http://www.birdie-foundry.uk/support-of-window-railings>

<http://www.birdie-foundry.uk/>

Dimensions given for information only